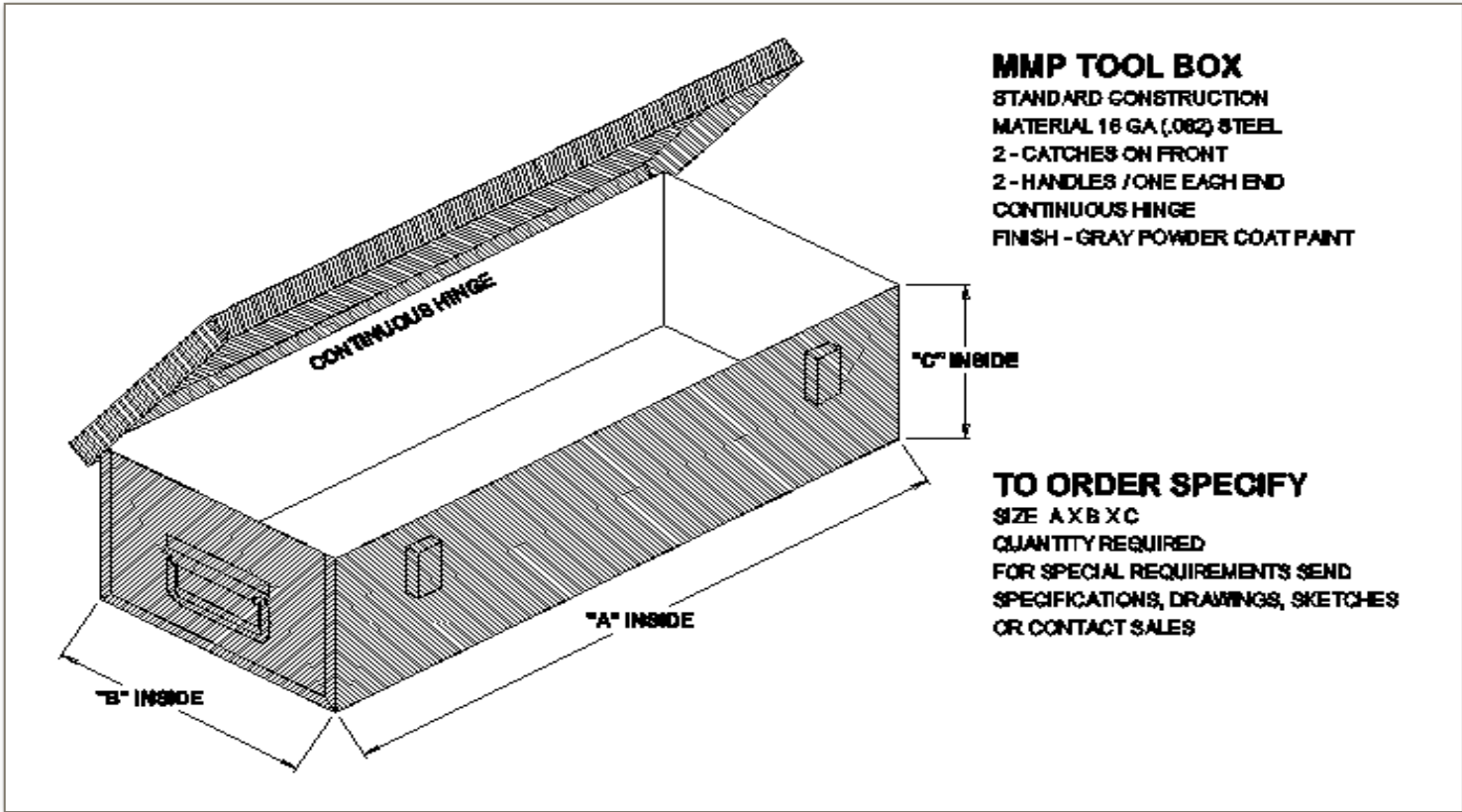
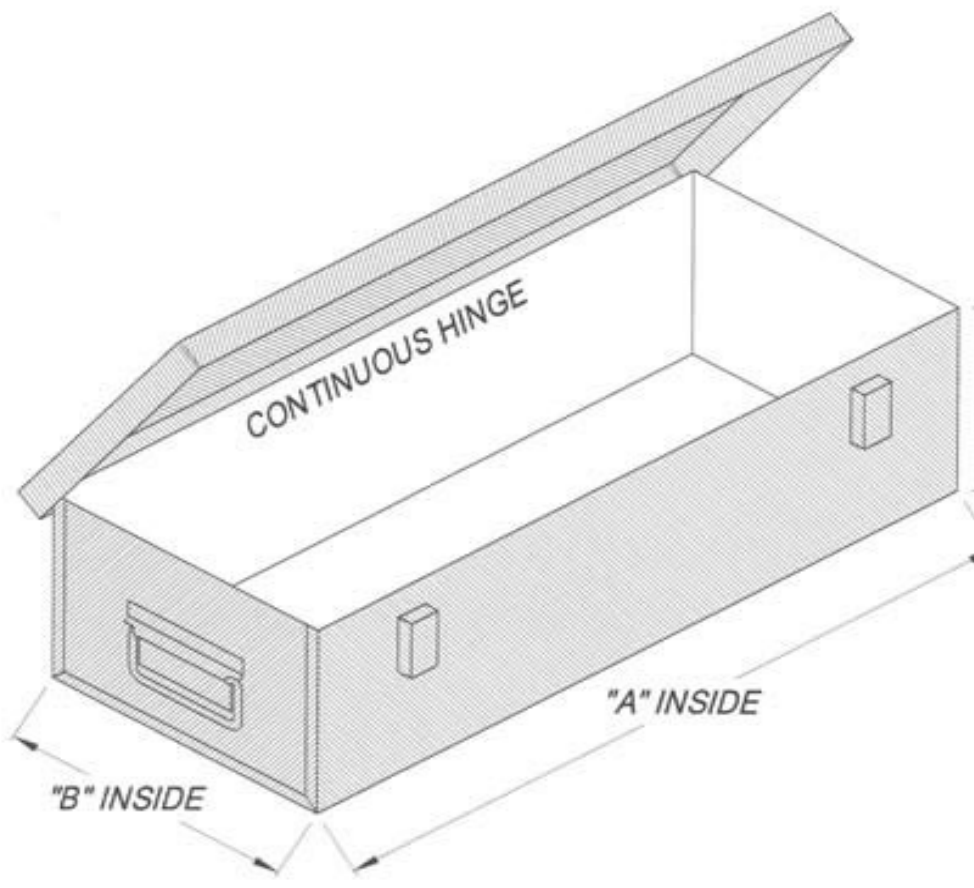


TOOLBOX QUOTE SHEET									
CUSTOMER:					ADDRESS:				
CONTACT:									
PHONE:									
FAX:					DATE:				
SIZE:					QUANTITY:				
MATERIAL:	16 GAGE STEEL				COLOR:	GREY			
FEATURES:					SPECIAL:				
PRICE:					DELIVERY:	5-6 WEEKS FROM DATE OF ORDER			



CUSTOMER:						ADDRESS:						DATE:						
CONTACT:												PHONE:						
												FAX:						
SIZE:	A=	B=	C=			MATERIAL:						FEATURES:						
QUANTITY:							COLOR:											



**MMP TOOL BOX**  
 STANDARD CONSTRUCTION  
 MATERIAL 16 GA (.062) STEEL  
 2 - CATCHES ON FRONT  
 2 - HANDLES / ONE EACH END  
 CONTINUOUS HINGE  
 FINISH - GRAY POWDER COAT PAINT

**TO ORDER SPECIFY**  
 SIZE A X B X C  
 QUANTITY REQUIRED  
 FOR SPECIAL REQUIREMENTS SEND  
 SPECIFICATIONS, DRAWINGS, SKETCHES  
 OR CONTACT SALES